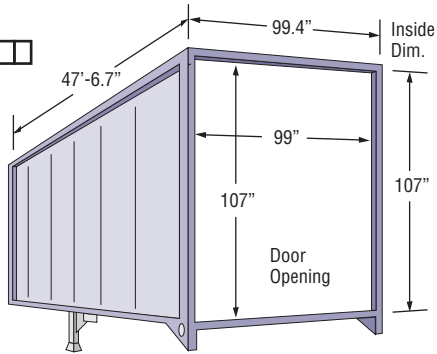


# Container Specifications

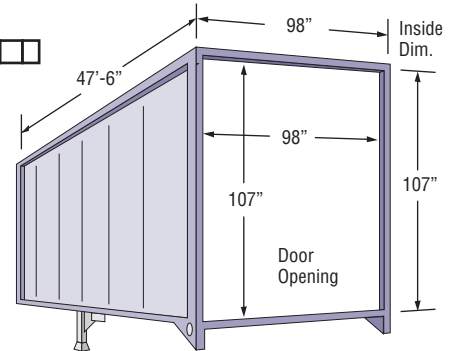
**48** 48' EMPU

**Capacity:**  
(useable cube)  
3,482 ft<sup>3</sup>



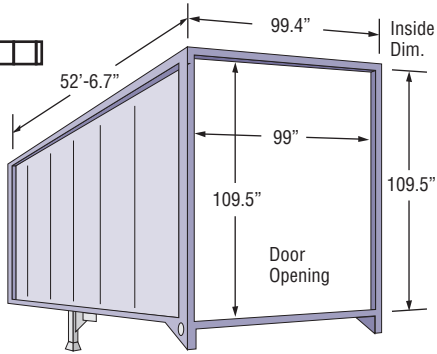
**48** 48' CSXU

**Capacity:**  
(useable cube)  
3,474 ft<sup>3</sup>



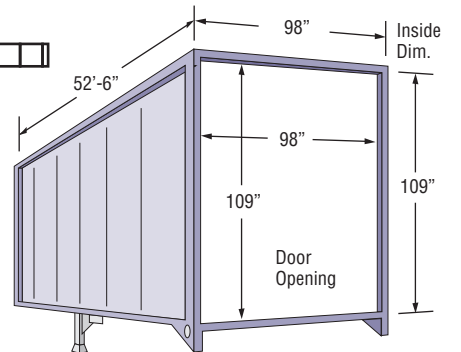
**53** 53' EMHU

**Capacity:**  
(useable cube)  
3,970 ft<sup>3</sup>



**53** 53' CSXU

**Capacity:**  
(useable cube)  
3,927 ft<sup>3</sup>



**53** 53' EMWU

**Capacity:**  
(useable cube)  
4,025 ft<sup>3</sup>

